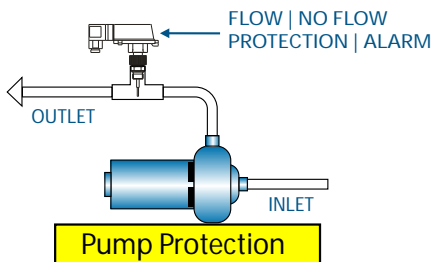


- Excellent Pump Protection
- Corrosion Resistant
- All Plastic Rugged Design

NEMA 4X High Impact Plastic Housing

All Plastic



SERIES : FES
CONNECTION : ½" (M) NPT
SEALS : FPM (Viton®)

The FES Series Flow Switch is designed to detect liquid Flow or Low | No Flow.

The FES switch encompasses a SPST contact that can be wired to energize a device when liquid flow either exceeds or drops below the set flow rate.

The FES Series is an excellent choice for corrosive liquid services, water treatment, waste treatment, liquid pumping and process control systems.

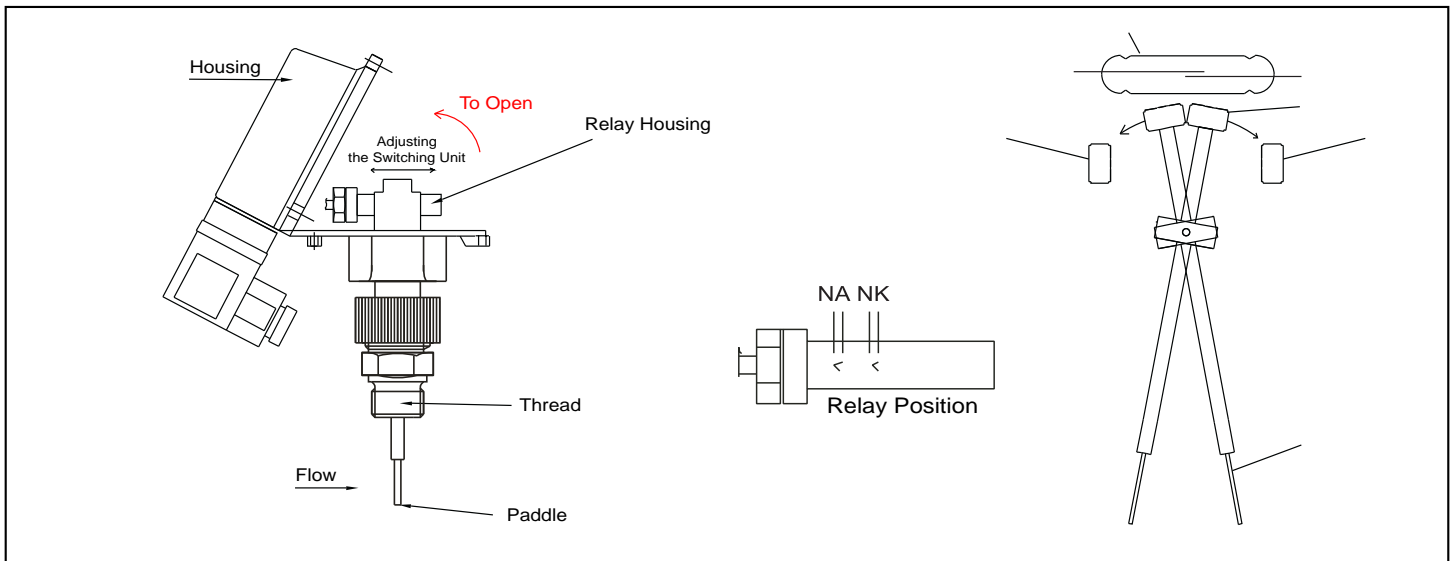
The FES Flow Switch can control devices such as pumps, motorized valves and alarm devices.

FEATURES

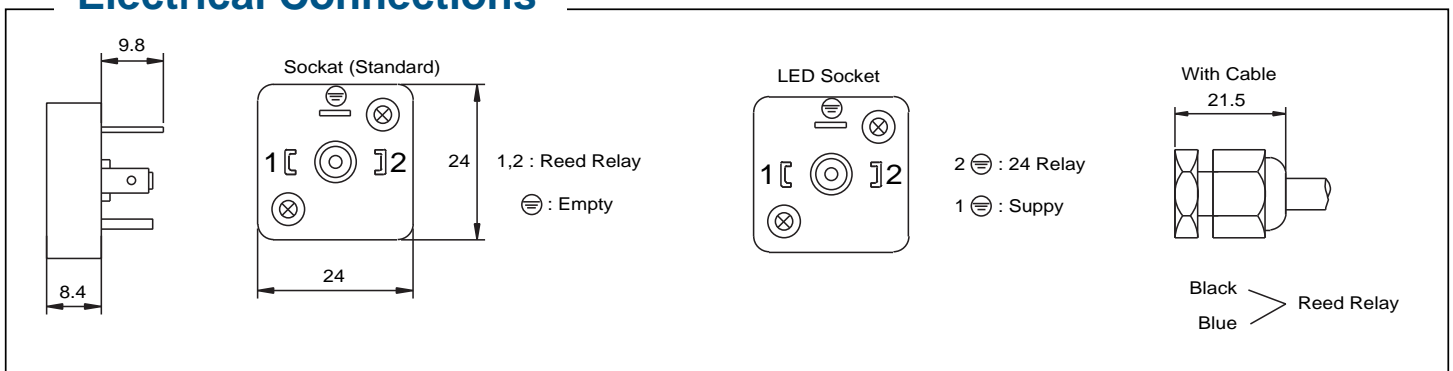
- All Plastic Construction
- In-Line Design | Insertion Style
- NEMA 4X Enclosure
- Corrosion Resistant PP Body | Paddle
- ½" - 8" Pipe | Tee | Saddle
- Heavy Duty Rugged Design
- Excellent Chemical Resistance
- Easy to Install
- Can be Easily Changed from Normally Open to Normally Closed

SPECIFICATIONS

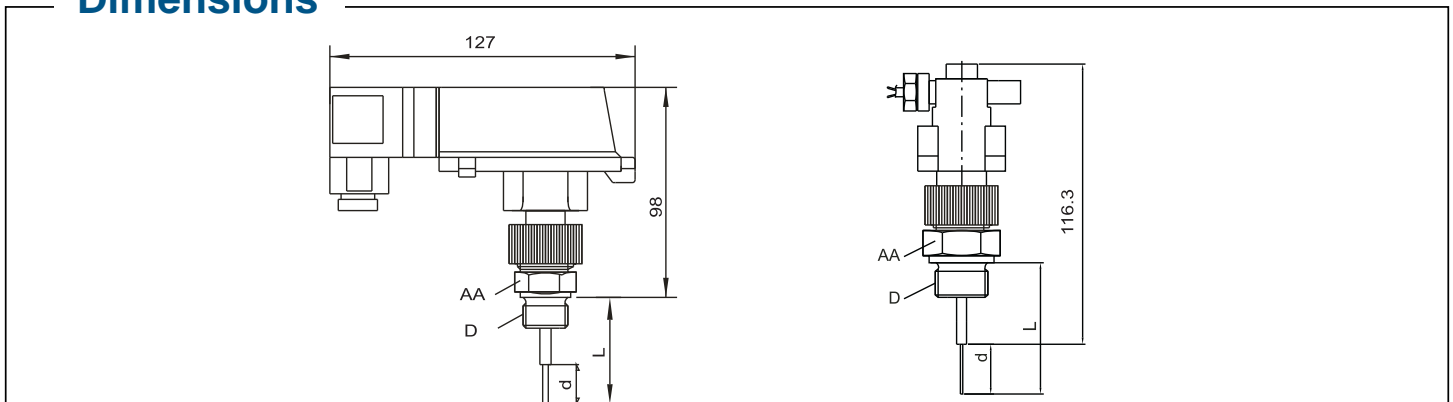
| | |
|-------------------------------|--|
| Body + Thread Paddle Assembly | PP |
| Installation Fitting | PP PVC (Optional) |
| O-Ring | Viton® |
| Max. Working Pressure | 150 psi 10 bar |
| Max. Working Temperature | PP 80°C (NON SHOCK) |
| Max. Contact Current | 1.5A |
| Max. Power Supply | 200VDC 250VAC |
| Max. Power | 50W |
| Contact | NO NC Adjustable |
| Electrical Connections | DIN 43650A (ISO 4400) socket Opt. Cable Output Socket with LED |
| Protection Class | IP65 NEMA 4X |



Electrical Connections



Dimensions



| Model | Pipe Size | Connection Size D | Max. Flow m3/h, Water | Rising Flow Rate L/min, Water | Falling Flow Rate L/min, Water | AA1-AA (MM) | L (MM) | D (MM) |
|------------|-----------|-------------------|-----------------------|-------------------------------|--------------------------------|-------------|--------|---------|
| FES-005-2 | ½-(2") | ½" NPT | 20 | 1 2 | 0.9 1.9 | 27 | 52 | 12 X 20 |
| FES-005-3 | (3") | ½" NPT | 30 | 3 6 | 2.9 5.5 | 27 | 52 | 12 X 20 |
| FES-005-4 | (4") | ½" NPT | 40 | 4.8 8 | 4.6 7.5 | 27 | 52 | 12 X 20 |
| FES-005-41 | (4") | ½" NPT | 70 | 4.5 5.5 | 4 5 | 27 | 112 | 12 X 80 |
| FES-005-6 | (6") | ½" NPT | 110 | 8 11 | 7.8 10 | 27 | 112 | 12 X 80 |
| FES-005-8 | (8") | ½" NPT | 120 | 18 24.2 | 17.5 24 | 27 | 112 | 12 X 80 |